



With Deep Well Flange



With Shallow Well Jet Kit

DAVEY Prime Jet

Model Numbers:
48501, 48503

WARRANTY
2 YEARS

APPLICATIONS

Ideal for supplying high pressure water for farm water supply from dams, creeks, rivers and bores, tank filling, stock watering and sprinkler supply.

DEEP AND SHALLOW WELL JET PUMPS

FEATURES & BENEFITS

Single stage (one impeller) convertible jet assisted centrifugal pump:

- Simple design
- Less prone to blockage than multistage pumps

Solid cast iron casing with cast bronze impeller

- Robust construction for long life

Pressure switch fitted and pressure gauge supplied

- Ease of installation

In-built thermal overload protection with automatic reset in 1Ø model

- Provides motor protection against low voltage and/or high ambient temperatures

High TEFC - IP rating

- Long term protection against vermin, dust and water

Convertible to shallow or deep well options by choice of either shallow well or deep well injector kits

- Versatile, suitable for many applications

Deep well models come with automatic demand response (ADR) valve

- Maintains jet drive pressure
- Helps prevent loss of prime

Deep and Shallow Well Pumps



OPERATING LIMITS	
Maximum shallow well capacity (@210kPa, nil suction)	238 lpm
Maximum shallow well suction head	7.5m
Maximum deep well suction head	50m
Maximum water temperature	50°C
Minimum water temperature	1°C

ELECTRICAL DATA			
Type	48501		48503
Supply voltage	240V	480V	415V
Phase	Single	Single	Three
Hz	50		
Speed	2 pole, 2850 rpm		
Input power (P ₁)	3.2	3.2	3.0
Output power (P ₂)	2.5	2.6	2.3
Capacitor	40µF	40µF	-
Maximum rated current (FL)	14A	7A	5.1A
Locked rotor current	52A	26A	23.6A
Insulation class	F		
IP rating	IP56		
Starting	P.S.C.		D.O.L.

Single phase units should be restricted to no more than 20 starts per hours. Three phase units must be connected via a magnetic contactor with "quick-trip" or M10 rated overloads. Single phasing protection is strongly recommended.

MATERIALS OF CONSTRUCTION	
Part	Material
Yoke	Cast iron*
Pump body	Cast iron*
Discharge port	Cast iron*
Diffuser	Cast bronze
Shallow well jet / venturi housing	Cast iron*
Deep well injector housing	Cast bronze
Deep well pipe fittings	Brass
Deep well pipe clamps	316 stainless steel
Impeller	Cast bronze
Jet (shallow well)	Brass
Jet (deep well)	Acetyl / brass
Venturi (shallow well)	Brass
Venturi (deep well)	Glass filled nylon
Seal ring (stationary)	Ceramic
Seal ring (rotating)	Carbon
O-rings	Nitrile rubber
Priming plug	Brass

*Grade AS1830/T-180

JET KITS

Shallow Well: includes suction housing, jet and venturi
 Deep Well: includes deep well elbow, jet, venturi, injector body plus suction and drive pipe fittings.

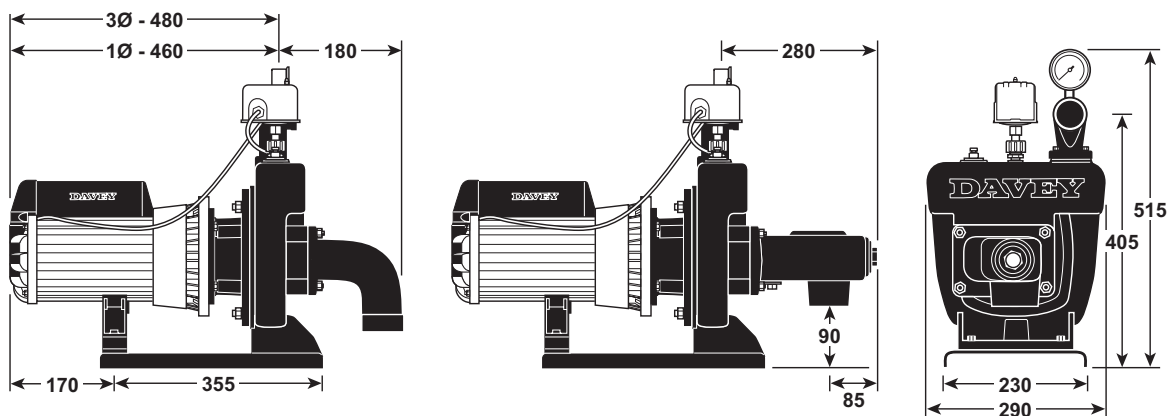
Note: For deep well offset applications, offset flange (P/No. 26363) is available.



N2401

INSTALLATION & PRIMING
<ul style="list-style-type: none"> Fit strainer to bottom of suction pipe; a foot valve is required on all models and is included with deep well injectors To prime, fill pump body and suction line with water then allow pump to run until drawing water Ensure pump operates at or above minimum operating pressure.

DIMENSIONS (mm)



With deep well flange
 Inlet 1½" BSP(F)
 Drive 1¼" BSP(F)
 Discharge 1¼" BSP(F)

Packed weight Model 48501 (pump & motor only): 66.5kg
 Model 48503 (pump & motor only): 65.5kg

Packed weight Shallow well jet & body kit: 11kg
 Deep well, jet, injector & ADR kit: 12kg



daveywater.com

This literature is not a complete guide to product usage. All images provided in this document are for illustration purposes only. Further information is available from your Davey Dealer, Davey Support Centre and from the relevant product Installation and Operating Instructions. Must be read in conjunction with the relevant product Installation and Operating Instructions and all applicable statutory requirements. Product specifications may change without notice. © Davey is a registered trademark of Davey Water Products Pty Ltd. © Davey Water Products Pty Ltd 2025.

